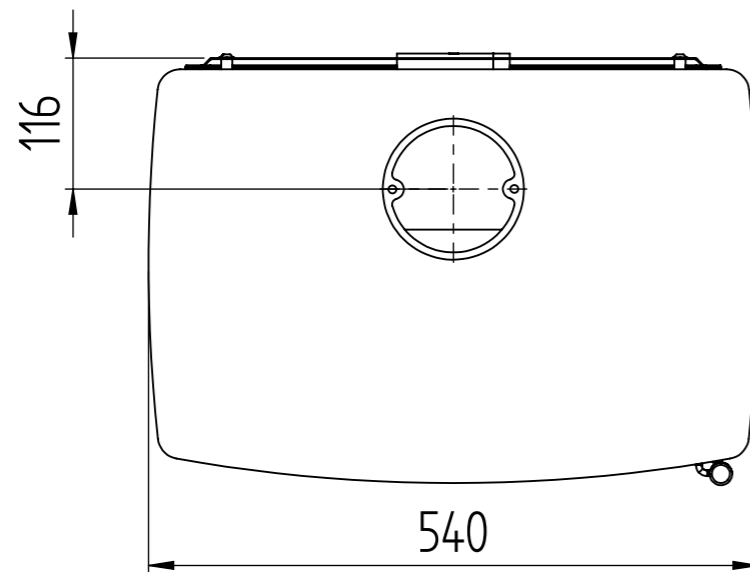

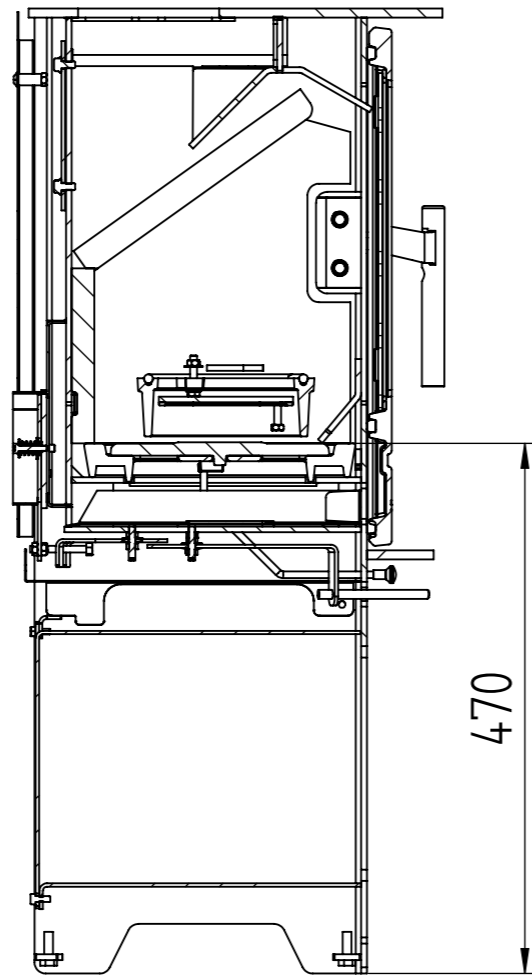


Center of  $\varnothing 100$  air supply

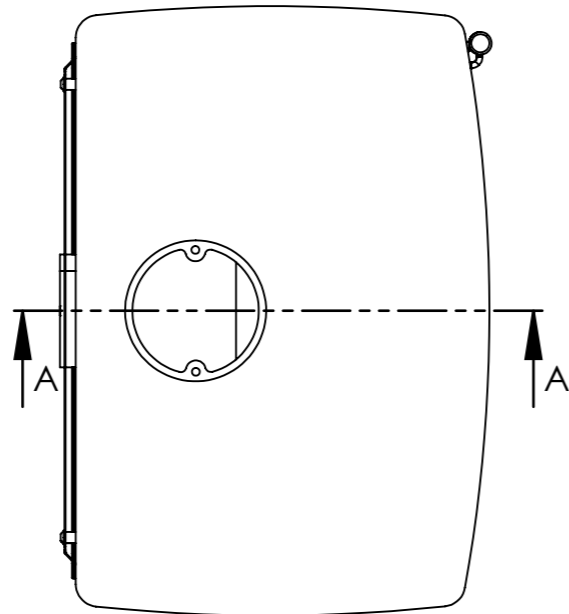
Rear Outlet




REVISION										
REV.	DESCRIPTION								DATE	APPROVED
A									27-06-2016	TT
Cutting	Thread	Tooling	Rolling	Bending	Heating	Sandblasting	Welding	Painting	Drawn	
-	-	-	-	-	-	-	-	-	TT	
Material					Thickness (mm)	Weight (kg)	Format	Scale	General tol.	
						107.09	A3	1:6.7		
 www.heta.dk					Description <b>Overview</b> Project Inspire 45H					
					Part no. <b>8052-0100-måltegning</b>					Sheet 1 OF 2 Rev. A
<small>All information contained in this document is property of HETA. Without written permission, any copying, transmittal to other, and any use except that for which it is loaned is prohibited.</small>										



SECTION A-A



Cutting	Thread	Tooling	Rolling	Bending	Heating	Sandblasting	Welding	Painting	Drawn	
-	-	-	-	-	-	-	-	-	TT	
Material						Thickness (mm)	Weight (kg)	Format	Scale	General tol.
						107.09	A3	1:6.7		
 www.heta.dk						Description <b>Overview</b> Project <b>Inspire 45H</b>				
						Part no. <b>8052-0100-måltegning</b>				
<small>All information contained in this document is property of HETA. Without written permission, any copying, transmittal to other, and any use except that for which it is loaned is prohibited.</small>						